



«MAGNITO-KONTAKT» Ltd

51B, place H4, Novaya St., 390027 Ryazan, Russia, phone +7 915 622-20-57
E-mail: olya374@rambler.ru; 451694@bk.ru <http://www.m-kontakt.ru>

PINPOINT SECURITY MAGNETICALLY CONTACT DETECTOR IO 102-26 "SNAKE"



Description

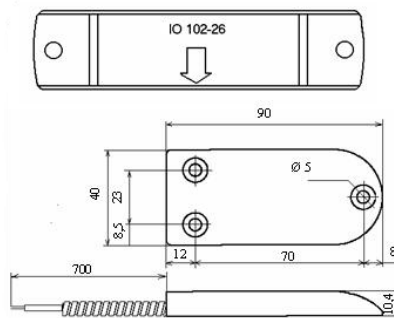
Detectors IO 102-26 "Snake" are designed to lock gates, railway containers, hangars and other constructive elements of buildings and structures of magnetically conductive materials (steel, cast iron, galvanized iron, etc.), opening or displacement with the results of the signal "Alarm" on the control panel, concentrator or central surveillance console.

Detector consists of a magnetically controlled sensor based on a reed switch and a reference element – magnet.

Detector enclosure and the magnet body are made of plastic.

Dimensions

Dimensions in mm



Electrical characteristics

Switching current	≤0,5A
Switching voltage	≥72V
Switching power	10W,VA
Dimensions	Sensor - 130*30*20mm Magnet - 130*30*20mm
Weight	Sensor - 0,10kg Magnet - 0,15kg
Operating temperature	-50...+50°C
Humidity	98%
Contact resistance	0,5 Ω

Technical data

Execution type	Design feature	Sensing distance	Reed switch type	Outlet type & length
-06	on the floor	≤25mm	normally open contact	Ø6,0mm, (metal hose) 700mm
-07	on the floor	≤12mm	changeover contact	Ø6,0mm, (metal hose) 700mm

Detectors designed for continuous operation

Detectors are non-renewable products.