



«MAGNITO-KONTAKT» Ltd

51B, place H4, Novaya St., 390027 Ryazan, Russia, phone +7 915 622-20-57
 E-mail: 453788@bk.ru; 451694@bk.ru /m-kontakt.ru/ /m-kontakt.com/

EXPLOSION-PROOF CABLE GLANDS Ex MKVM



1Ex db IIC Gb/PB Ex db I Mb/ PII Ex e I Mc/ Ex tb IIIC Db/ 1Ex e IIC Gb/ 2Ex nR IIC Gc
 1Ex db IIC Gb/ Ex tb IIIC Db/ 1Ex e IIC Gb/ 2Ex nR IIC Gc

INGRESS PROTECTION RATING
IP66/IP67/IP68



Description

Explosion-proof cable glands Ex MKVM are designed to connect flexible cables to explosion-proof equipment. The manufactured glands differ in size and type of a coupling thread, and in types of the connected cables.

Explosion-proof metal cable glands Ex MKVM are designed for introducing flexible cables into explosion-protected and non-explosion-protected equipment. The glands can be used with armoured and unarmoured round cables, as well as cables laid in a pipe or metal hoses.

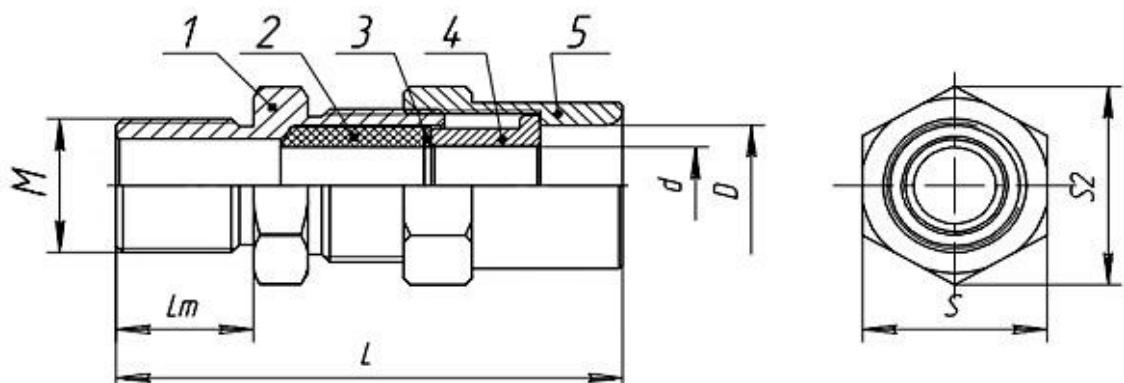
Type of connection thread cylindrical pipe and metric.

The Ex MKVM cable glands are available in stainless steel; steel with anti-corrosion coating; brass; brass with anti-corrosion coating.

Weight: **from 0.2 to 1.3 kg.**



Dimensions



Technical data

Ex MKVM	
1Ex db IIC Gb/PB Ex db I Mb/ PII Ex e I Mc/ Ex tb IIIC Db/ 1Ex e IIC Gb/ 2Ex nR IIC Gc	temperature range from -70°C to +135°C
1Ex db IIC Gb/ Ex tb IIIC Db/ 1Ex e IIC Gb/ 2Ex nR IIC Gc	temperature range from -70°C to +200°C